

# **AW-XH325-PUR**

## **IEEE 802.11 a/b/g/n/ac/ax Wi-Fi + Bluetooth 5.2 Combo SIP Module**

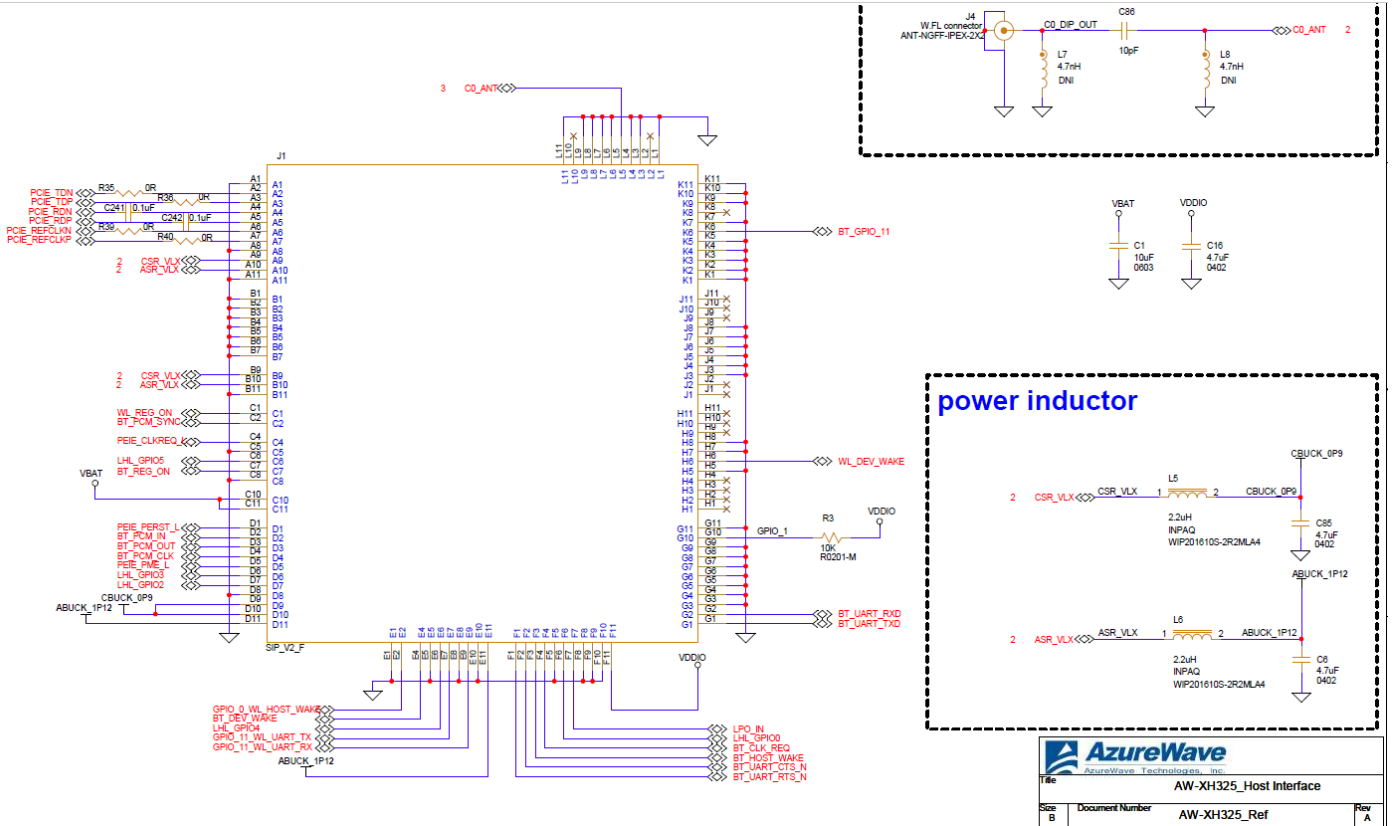
### **Reference Design Guide**

**Rev. 01**

(For Standard)

## Revision History

Version	Revision Date	Description	Initials	Approved
01	2023/05/11	● Initial Version	Barry Tsai	N.C. Chen



BT\_REG\_ON must be connected to an external GPIO control pin.